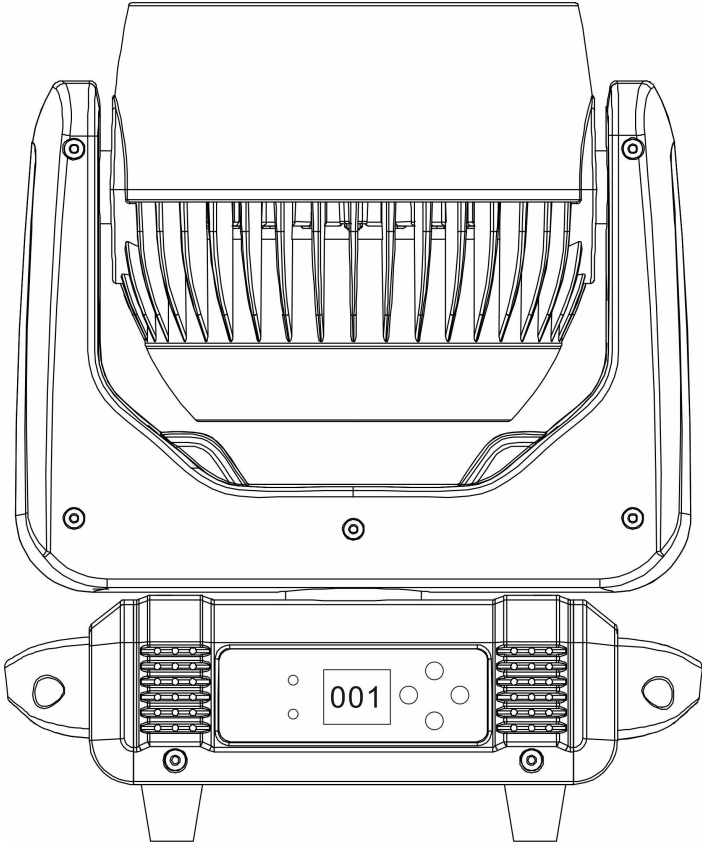


LED 19*15W Wash Zoom Moving Head

Instruction manual



Thank you for using our products, is safe and effective use of this product to you, before you use this product, please read this instruction manual carefully complete. This manual contains: the performance of the product is and how to safely install, and use of important information, please properly keep, in order to use as a reference. When installing and using relevant instructions must be strictly observed.

Technical Parameters:

Power Supply: AC 100V - 240V

Frequency: 50Hz - 60Hz

Total Power: 350W

Light Source: 19 LED RGBW Lamp Beads

Fuse: 2 A

Lamp Source Power: 280W

Color temperature: 7500K

Average life: 50000H

Control signal: DMX512

Appearance: high temperature resistant plastic + molded alloy material

Appearance Color: Black

Protection level: IP20

Net Weight: 8KG

Features:

1. International standard control signal: DMX512
2. Number of channels: 16CH channel.
3. Number of motors:3 silent motors
4. The X axis rotate for 540 °C, Y axis vertical rotation of 270 °C, with automatic correction.
5. X, Y axis operation can be tempered and micro, the software band calibration localization function, high precision!
6. Dimming: 0-100% linear adjustment.
7. Strobe: stroboscopic speed (1-30 times/SEC), full linear dimming and variable stroking speed.
8. Intelligent dimming control (prolong the life of lamp source)

Connection of DMX512 signal

The lamp and lanterns is DMX512 signal control model, the control signal of lamps and lanterns is a parallel relationship, the connection is more than one signal lamps and lanterns, it is

best to use double core shielded cables. Connection, all through the lamps and lanterns of lamps and lanterns DMX signal on jack (context) INPUT (INPUT) and OUTPUT (OUTPUT) are connected, connect the line of lamps and lanterns 3 core XLRXL plug terminal must correspond to each other, when the connection signal lamps and lanterns, it is recommended to use DMX signal terminal. Can be avoided, due to electrical noise damage control signal, DMX signal terminal device is a XLR plugs connection between 2 and 3 feet a 120 ohm resistance of 1 w, and connect it on the last stage of lamps and lanterns of the OUTPUT (OUTPUT) jack.

The initial address code calculation method of lamps and lanterns:

The starting address code of the current light fixture is equal to (the initial address code of the last light fixture) + (the number of channels of the lamp) :

1. The initial address code of the first lamp is A001.

2: the basic channel number of the controller should be greater than or equal to the total number of use channels.

3. Note: when using any controller, each lamp should have its own initial address code. If the initial address code of the first light lamp is set A001, the number of the luminaire number is 16CH; The starting address of the second light fixture is set to A017. The starting address code of the third light fixture is set to A033; So on and so forth, (this setting also needs to be determined according to different control)

Description of installation of lamps and lanterns:

This luminaire can be placed horizontally, slanting and hanging upside down, and must pay attention to the installation method when hanging and hanging upside down.

Fixed installation: 1. The lamps and lanterns of lamps and lanterns before positioning, to ensure the stability of the installation site, when the reverse hanging installation, must ensure that the lamps and lanterns is not tumbled down on the supporting frame and handle with a safety rope through the racks and lamps and lanterns, assist hanging; In order to ensure safety. To prevent fall and slide of lamps and lanterns, lamps and lanterns in the installation and debugging, the ban pedestrians pass, regularly check whether the safety rope appear wear away, whether hook screws loosen, if because hanging installation is not stable, lead to fall all consequences arising from the lamps and lanterns manufacturer does not assume any responsibility.

unnecessary breakdowns and injuries.

1. Non-professional personnel, do not remove the fittings of lamps and lanterns without permission.

2. AC power supply: check whether the local power supply meets the rated voltage requirement.

3. The lamps and lanterns is according to the type of electric shock protection design, lamps and lanterns should be used with sufficient power supply system grounding, and lamps and lanterns of the ground wire must be connected to the ground of the power supply system. Do not use insulation damaged power cord, with no don't take the power cord overlap on the other wire.

4. When installation location and lamps and lanterns, any point on the surface of lamps and lanterns and any easy to burn the explosive keep minimum distance of 10 meters, 2.5 meters from irradiation distance, please don't directly installed in the lamp to burn the material surface.

5. Ambient temperature of lamps: (-10 degrees + 40 degrees), the highest temperature of the lamp surface is 80 degrees, the lamps and lanterns should be kept away from the liquid material and wet environment.

6. Make sure the lamps are well grounded before using the lamps, and do not install and remove any parts of the lamps.

7. When installing the lamps, the fixed screws must be fastened and equipped with safety cables and checked periodically.

8. In the process of use, if the lamp is abnormal, the lamps should be stopped in time.

9. The rotating part of the lamp and the pasting accessories must be checked regularly and loosened, and the shaking should be strengthened in time to prevent accidents.

10. The lamps and lanterns USES is strong wind cooling, accumulate dirt easily, must per month on a clean, especially the cooling tuyere, otherwise you'll be in a dust jam, lead to bad heat dissipation, the lamps and lanterns is abnormal.

Maintenance and insurance:

Shutdown operation: before each off, the light source in advance to shut down. Let the cooling fan inside heat when using the lamps and lanterns, fast discharge, it can prolong the parts inside the lamps and lanterns, especially the service life of the light source! In order to ensure the lamps and lanterns can steadily run, should keep it clean, open lamps and lanterns for repair or before maintenance work that make sure the power is disconnected, it is important to keep the lamps and lanterns is clean, clean, clean, please regularly not only keep the maximum brightness output, but also can prolong the service life of lamps and lanterns, it is recommended to use high quality glass cleaner and use a clean soft cloth to clean, use the vacuum cleaner at least half an year is clean inside the lamp.

After-sales service

Attention! When the lamps and lanterns are out of the factory, they are strictly inspected and the packing is in good condition. Please follow the instructions.

The fault of the machine is not covered by the machine.

1. The company will provide technical advice to customers throughout the lifetime.

If the product fails, please show the warranty card and fill in the relevant content

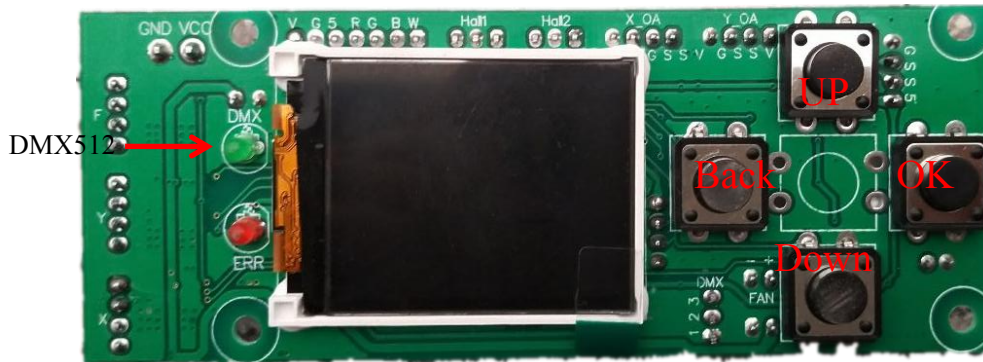
We provide timely feedback to the products, so that we can improve the product in the first place.

2. Besides the luminaires, the following accessories can also be selected:
Attachment: power line: 1, signal line: 1, instruction: 1 copy

The choose and buy
Lamp source (according to customer requirements)
Light hook safety cable (customer selection)

Menu Operations

Set interface



There are system settings, running mode, display settings, factory set up four first-level menu, simple operation, fast response..

Menu Description

System Settings

- 1, DMX address 002 confirms the modification by confirming the key, the upper and lower keys select the DMX address, and then confirm and return to exit. And ...
- 2, the encoder shutdown confirms the modification through the confirmation key, and then chooses to close / open up and down, confirm again, return exit.
- 3, X reverse shutdown confirms the modification by confirming the key, and then chooses to close / open up and down, and then confirm and return to exit.
- 4, Y reverse shutdown confirms the modification by confirming the key, then select shutdown / open up and down, and confirm again, return exit.
- 5.CTO 100%

Run Mode

- 1, Operation Mode DMX confirms the modification by confirming the key, the upper and lower keys select the operation mode, and then confirm and return to exit.
- 2, channel choice 16CH

Frame Settings

1, Language Selection Chinese confirms the modification by confirming the key, the upper and lower keys selects the language, confirms it again, and returns to exit.

2, Inverted settings close confirmed by the confirmation key, the upper and lower keys choose to open, and then confirm, return to exit.

Factory Settings(Password 138)

correct

1, X Calibration 128 confirms the modification by confirming the key, then selects the appropriate channel value up and down, confirms again, returns exit

2, Y calibration 128 confirms the modification by confirming the key, then selects the appropriate channel value up and down, confirms again, returns exit

3, focus 128 confirms the modification by confirming the key, then selects the appropriate channel value up and down, and then confirms, returns exit

4, Red 220 confirms the modification by confirming the key, then selects the appropriate channel value up and down, confirms again, returns to exit

5, Green 220 confirms the modification by confirming the key, then selects the appropriate channel value up and down, confirms again, returns to exit

6, Blue 220 confirms the modification by confirming the key, then selects the appropriate channel value up and down, confirms again, returns exit

7, White 220 confirms the modification by confirming the key, then selects the appropriate channel value up and down, confirms again, returns to exit

8, Logo 000 confirms first through the left function key, then selects the appropriate LOGO up and down, and then confirms and returns to exit.

16 Channel mode:

channel		16
1	000-255	Pan
2	000-255	Tilt
3	000-255	P/T Speed
4	000-255	Dimmer
5	000-255	Red (R) group 1

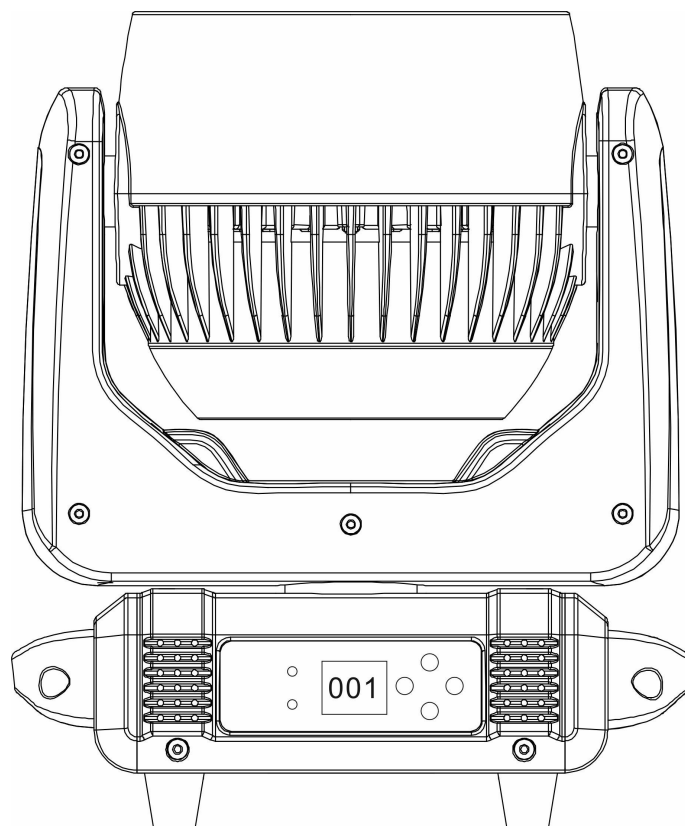
6	000-255	Green (G) group 1
7	000-255	Blue (B) group 1
8	000-255	White (W) group 1
9	000-255	Shutter
10	000-255	Focus
11	000-255	Function mode
12	000-255	Functional mode speed
13	000-255	Pan Fine
14	000-255	Tilt Fine
15	000-255	Rest(255)
16	000-255	CTO

24 Channel mode:

channel	24
1	Pan
2	Tilt
3	P/T Speed
4	Dimmer
5	Red (R) group 1
6	Green (G) group 1
7	Blue (B) group 1
8	White (W) group 1
9	Red (R) group 2
10	Green (G) group 2
11	Blue (B) group 2
12	White (W) group 2
13	Red (R) group 3
14	Green (G) group 3

15	Blue (B) group 3
16	White (W) group 3
17	Shutter
18	Focus
19	Function mode
20	Functional mode speed
21	Pan Fine
22	Tilt Fine
23	Rest(255)
24	Total (useless)

19颗调焦摇头染色灯



使用前请仔细阅读说明书

感谢您使用本公司生产的产品,为了您安全有效的使用本产品,在您使用本产品之前,请您仔细完整地阅读这份使用说明书.本说明书包含了:产品的性能特征说明和如何安全地安装,以及使用方面的重要信息,请你妥善保管,以便使用时参考.安装及使用请严格遵守相关的说明.

技术参数:

电源:AC100V-240V

频率:50Hz-60Hz

总功率:350W

保险丝:2A

灯源功率:280W

色温:7500K

LED:19PCS*15W

通道: 16/24CH

平均寿命:50000H

控制信号:国际标准 DMX512

外观:耐高温塑料+模压合金材料

灯体颜色:黑色

防护等级:IP20

净重: 8KG

功能简介:

1.国际标准控制信号:DMX512

2.道通数量: 16CH/24CH.

3.马达数量: 共 3 个静音马达

4.液晶 65 万色触摸 TFT 界面,操作方便,界面美观,界面可 180 度反转显示。

5.X 轴水平旋转 540°,Y 轴垂直转动 270°,带自动校正定位.

6.X,Y 轴运转可调和调微, 软件带校正定位功能,精度高!

7.调光:0-100%线性调节.

8.频闪:频闪速度(1-30 次/秒),完全的线性调光和可变的频闪速度.

9.调焦:采用光学组合,效果远胜通常的染色灯,能投射出高清的效果.

10.过热智能保护

11.智能调光控制 (延长灯源使用寿命)

DMX512信号的连接:

本灯具使用的是 DMX512 信号控制模式,各灯具控制信号属并联关系,在连接多台灯具信号时,最好使用双芯屏蔽电缆线.连接时,各灯具通过灯具上 DMX 信号插孔(卡侬座)INPUT(输入)和 OUTPUT(输出)进行相连接,连接灯具的信号线的 3 芯 XLRXL 插头端子一定要相互对应,在连接灯具信号时,建议使用 DMX 信号终端器.可以避免,由于电燥声而导致破坏控制信号,DMX 信号终端器是一个 XLR 插头的 2 脚和 3 脚之间连接一个 120 欧姆 1W 的电阻,并将其连接在最后一台灯具的 OUTPUT (输出)插孔上.

灯具的安装说明:

本灯具可水平放置,斜挂和倒挂,斜挂和倒挂时一定要注意安装方法.

1.灯具固定安装:在对灯具定位前,要确保安装地点的稳固性,在反转吊挂装时,必须确保灯具不要在支撑架上跌落下来,要用安全绳索穿过支撑架和灯具提手,进行辅助吊挂;以确保安全.防止灯具坠落和滑动,灯具在安装调试时,下方禁止行人通过,定期检查安全绳索是否出现磨损,挂钩螺丝是否出现松动,如果因为吊挂安装不稳固,导致灯具坠落而产生的一切后果,生产厂商不承担任何责任.

安全提示!

为确保你安全的正确使用灯具,请在使用前,仔细阅读以下安全提示,以免发生不必要故障和伤害.

1.非专业人员,切勿擅自拆卸灯具和灯具内的配件.

2.AC 电源:查所在地电源是否符合产品额定电压要求。

3.本灯具按照电击保护的类型设计,灯具要与有充分接地供电系统连接使用,并且灯具的地线必须与供电系统的地线连接.请勿使用绝缘层已损坏的电源线,同不要将电源线搭接在其它导线上.

4.灯具在进行安装定位时,灯具表面上任何一点与任何易烧易爆物保持最小距离为 10 米,离照射物距离 2.5 米,请不要将灯具直接安装在可烧物质表面上.

5.灯具使用的环境温度:(-10 度+40 度),灯具表面最高温度 80 度,灯具要远离液体物质和潮湿环境.

6.使用灯具之前一定要确保灯具接地良好,不可带电安装和拆卸灯具任何部件.

7.安装灯具时,固定螺丝一定要紧固,并配加安全索 ,并定时检查.

8.灯具连续工作时间建议不要超过 10 小时,连续启动灯具间隔时间应不得小于 10 分.否则会因为灯泡过热保护而不能正常触发.

9.使用过程中,如灯具出现异常应及时停止使用灯具.

10.灯泡达到额定使用寿命时应及时更换,否则会出现炸泡的危险事故.

11.灯具转动部位及粘贴配件必须定期检查,出现松动,晃动及时加固 ,以防意外发生.

12.灯具采用的是强风制冷,容易积灰尘,必须每月进行一次清洁,特别是散热风口,否则会因积灰尘堵塞,导致散热不良,使灯具出现异常.

维护及保：

关机操作：每次关机断电前,提前先把灯源关闭.让散热风机把灯具内使用时产生的热量,快速排出,这样能延长灯具内的配件,特别是灯源的使用寿命!为确保灯具可以稳定地运行,应该使其保持清洁,拆开灯具进行维修或开始保养工作这前确认电源是否断开,保持灯具干净、清洁是十分重要的,请你要定期进行清洁,不但保持最大亮度输出,而且还可以延长灯具的使用寿命,建议使用优质的玻璃清洗剂和使用清洁的软布来清洗,灯具内部使用真空吸尘器至少半年清洁一次.

售后服务

注意!灯具出厂时,都是经过严格的品质检验,包装均完好,请按照使用说明书进行操作.

人为原因导致机器故障不在保修范围.

1.本公司终生为客户提供技术咨询.

如产品出现故障,需维修时,请出示产品保修卡,并如实填写相关内容.同时也希望客户及时把产品出现的问题反馈给我们,方便我们第一时间对产品进行改进.

2.除灯具外,还可选配如下配件:

附件:电源线:1条、信号线:1条、说明书:1份

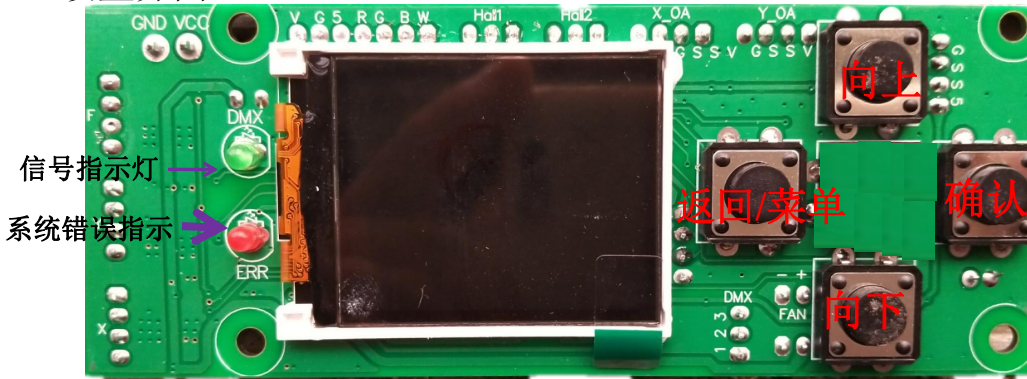
选购件

灯源(按客户要求)

灯钩安全索(按客户选择)

菜单操作

设置界面



有系统设置，运行模式，显示设置，工厂设置四个一级菜单，操作简单，反应速度快。

菜单说明

系统设置

- | | | |
|----------|-----|-----------------------------------|
| 1,DMX 地址 | 002 | 通过确认键确认修改，上下键选择 DMX 地址，再确认，返回退出。。 |
| 2,编码器 | 关闭 | 通过确认键确认修改，再上下选择关闭/开启，再确认，返回退出。 |
| 3,X 反转 | 关闭 | 通过确认键确认修改，再上下选择关闭/开启，再确认，返回退出。 |
| 4,Y 反转 | 关闭 | 通过确认键确认修改，再上下选择关闭/开启，再确认，返回退出。 |

运行模式

- | | | |
|------|------|-------------------------------|
| 运行模式 | DMX | 通过确认键确认修改，上下键选择运行模式，再确认，返回退出。 |
| 通道选择 | 16CH | |

显界设置

- | | | |
|------|----|-----------------------------|
| 语言选择 | 中文 | 通过确认键确认修改，上下键选择语言，再确认，返回退出。 |
| 倒显设置 | 关闭 | 通过确认键确认修改，上下键选择打开，再确认，返回退出。 |

工厂设置(密码 138)

校准

- | | | |
|------|-----|----------------------------------|
| X 校准 | 128 | 通过确认键确认修改，再上下选择合适通道值，再确认，返回退出 |
| Y 校准 | 128 | 通过确认键确认修改，再上下选择合适通道值，再确认，返回退出 |
| 调焦 | 128 | 通过确认键确认修改，再上下选择合适通道值，再确认，返回退出 |
| 红色 | 220 | 通过确认键确认修改，再上下选择合适通道值，再确认，返回退出 |
| 绿色 | 220 | 通过确认键确认修改，再上下选择合适通道值，再确认，返回退出 |
| 蓝色 | 220 | 通过确认键确认修改，再上下选择合适通道值，再确认，返回退出 |
| 白色 | 220 | 通过确认键确认修改，再上下选择合适通道值，再确认，返回退出 |
| Logo | 000 | 通过左侧功能键先确认，再上下选择合适 LOGO，再确认，返回退出 |

16 通道模式:

通道		16
1	000-255	X 轴(水平)
2	000-255	Y 轴(垂直)
3	000-255	XY速度
4	000-255	总调光
5	000-255	红亮度调节
6	000-255	绿亮度调节
7	000-255	蓝亮度调节
8	000-255	白亮度调节
9	000-255	频闪
10	000-255	调焦
11	000-255	功能模式
12	000-255	模式速度
13	000-255	X轴微调
14	000-255	Y轴微调
15	000-255	000-249 无效 250-255 复位
16	000-255	无效

24 通道模式:

通道		16
1	000-255	X 轴(水平)
2	000-255	Y 轴(垂直)
3	000-255	XY速度
4	000-255	总调光
5	000-255	红1亮度调节
6	000-255	绿1亮度调节
7	000-255	蓝1亮度调节
8	000-255	白1亮度调节
9	000-255	红2亮度调节
10	000-255	绿2亮度调节
11	000-255	蓝2亮度调节
12	000-255	白2亮度调节
13	000-255	红3亮度调节

14	000-255	绿3亮度调节
15	000-255	蓝3亮度调节
16	000-255	白3亮度调节
17	000-255	频闪
18	000-255	调焦
19	000-255	功能模式
20	000-255	模式速度
21	000-255	X轴微调
22	000-255	Y轴微调
23	000-255	000-249 无效 250-255 复位
24	000-255	无效